

6

5

4

3

2

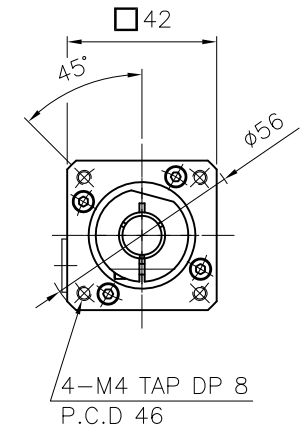
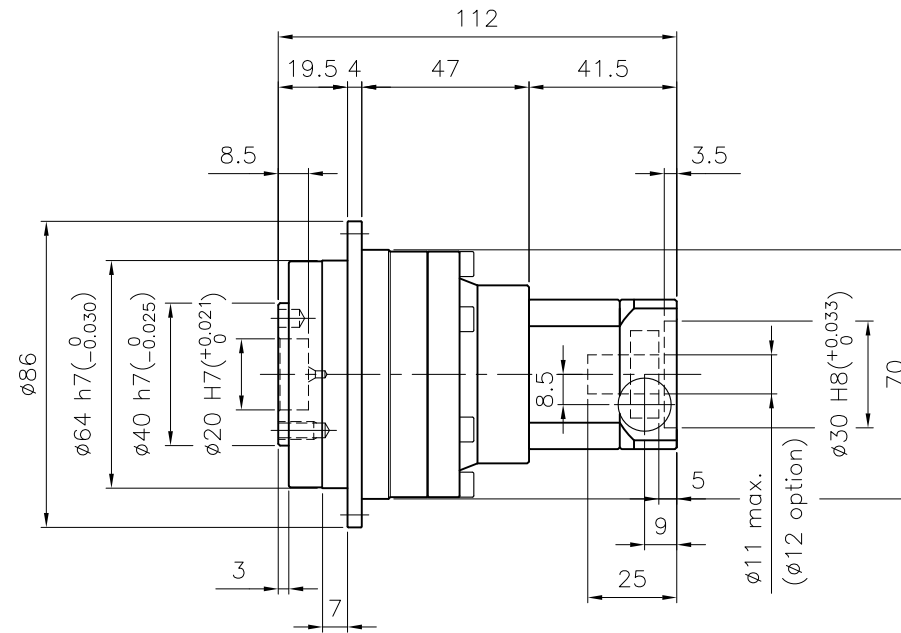
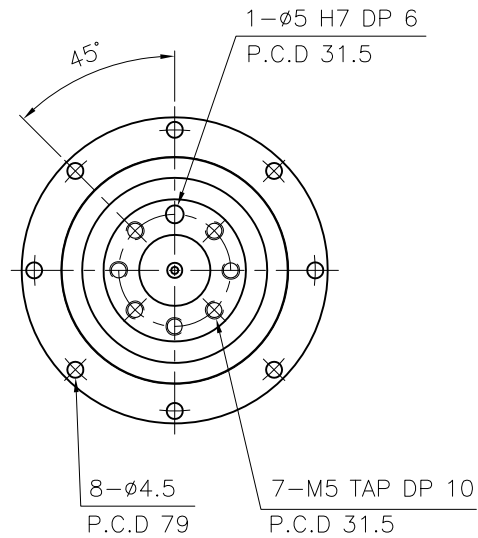
1

DWG. NO.

MARK	DATE	REVISION	REASON	SIGNATURE

D

D



C

C

B

B

### SPECIFICATION

- 1.Reducer Stage : 2
- 2.Ratio : 1/20 , 1/25 , 1/35 , 1/40 , 1/50 , 1/70 , 1/100
- 3.Backlash
  - 3-1) Precision Backlash P1(≤5 arcmin)
  - 3-2) Low Backlash P2(≤7 arcmin)
  - 3-3) Standard Backlash P3(≤10 arcmin)
- 4.Input Shaft Dia. : ø11 max. (ø12 option)  
In case that motor shaft Dia. is smaller than ø11  
Bushing is supplied

A

A

GENERAL TOLERANCE (mm)	SURFACE ROUGHNESS		FINISH MARK		NO.		NF-064		ø86x102		-		1		REMARKS	
0.5~3	±0.1	Ra	Rmax	~	CUSTOMER	STANDARD		SCALE	1 / 1.5	PROJECTION	1		WEIGHT (kgf)			
3~6	±0.1	√	100S	▽	TITLE	NF-064(1/20~1/100)		DWG.NO.	NF06400A2-042A		REV. NO.	0				
6~30	±0.2	√	50S	▽	DRAWN	S.R.JEON		CHECKED			APPROVED					
30~120	±0.3	√	25S	▽	2018.09.20											
120~400	±0.5	√	12.5S	▽												
400~1000	±0.8	√	6.3S	▽												
1000~2000	±1.2	√	3.2S	▽												
2000~4000	±2	√	0.8S	▽												
		√	0.4S	▽												

**NARA DRIVE**

6

5

4

3

2

1