

6

5

4

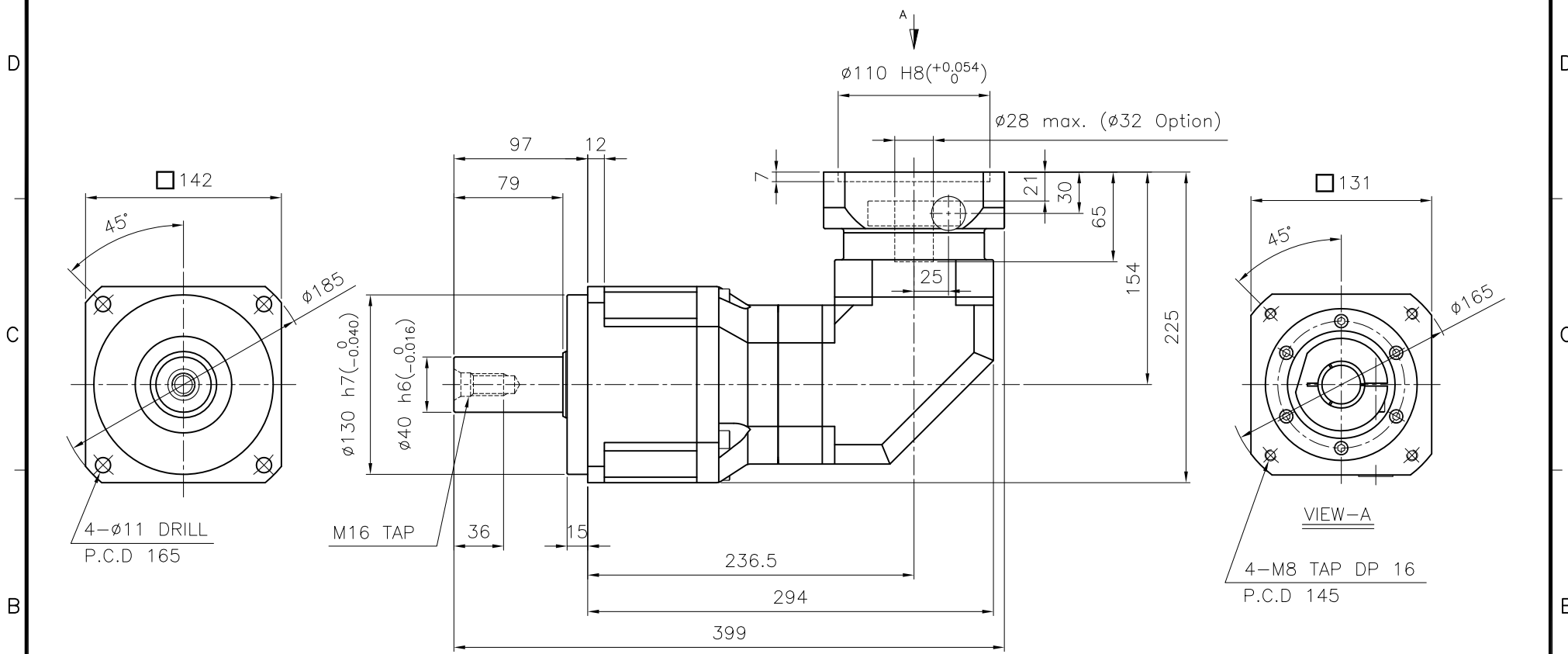
3

2

1

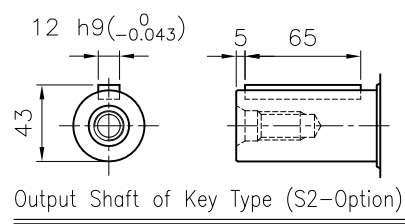
DWG. NO.

MARK	DATE	REVISION	REASON	SIGNATURE
------	------	----------	--------	-----------



SPECIFICATION

- 1.Reducer Stage : 2
- 2.Ratio : 1/25~1/200
- 3.Output Shaft Shape : Non-Key Type (S1)
Key Type (S2)
- 4.Backlash
 - 4-1) Precision Backlash P1(≤7 arcmin)
 - 4-2) Low Backlash P2(≤9 arcmin)
 - 4-3) Standard Backlash P3(≤12 arcmin)
- 5.Input Shaft Dia. : φ28 max. (φ32 Option)
In case that motor shaft Dia. is smaller than φ28
Bushing is supplied



Output Shaft of Key Type (S2-Option)

GENERAL TOLERANCE (mm)	SURFACE ROUGHNESS	NP-142		φ185x399x225		-	1		
0.5~3 ±0.1	Ra	NO.	DESCRIPTIONS	SIZE	MAT'L	Q'TY	WEIGHT (kgf)	REMARKS	
3~6 ±0.1	✓	CUSTOMER	STANDARD	SCALE	1 / 3	PROJECTION			
6~30 ±0.2	12.5	TITLE	NPR-142(1/25~1/200)	DWG.NO.	NPR14200A2-130A	REV. NO.	0		
30~120 ±0.3	6.3	Precision Planetary Gearhead		REF.NO.					
120~400 ±0.5	3.2	DRAWN	CHECKED	APPROVED					
400~1000 ±0.8	1.6	S.R.JEON							
1000~2000 ±1.2	0.8	2018.08.28							
2000~4000 ±2	0.4								



6

5

4

3

2

1