

6

5

4

3

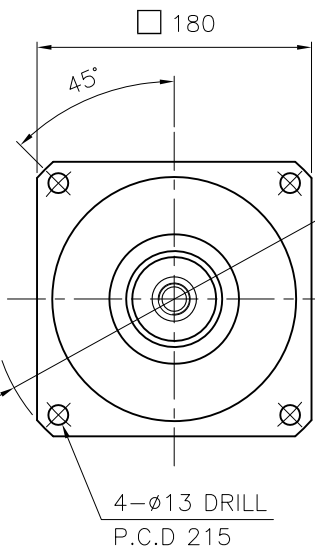
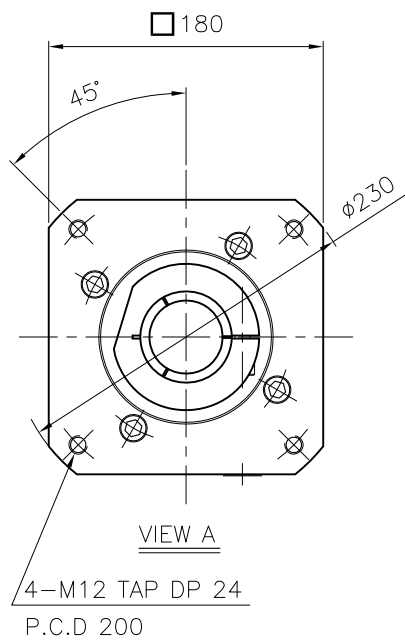
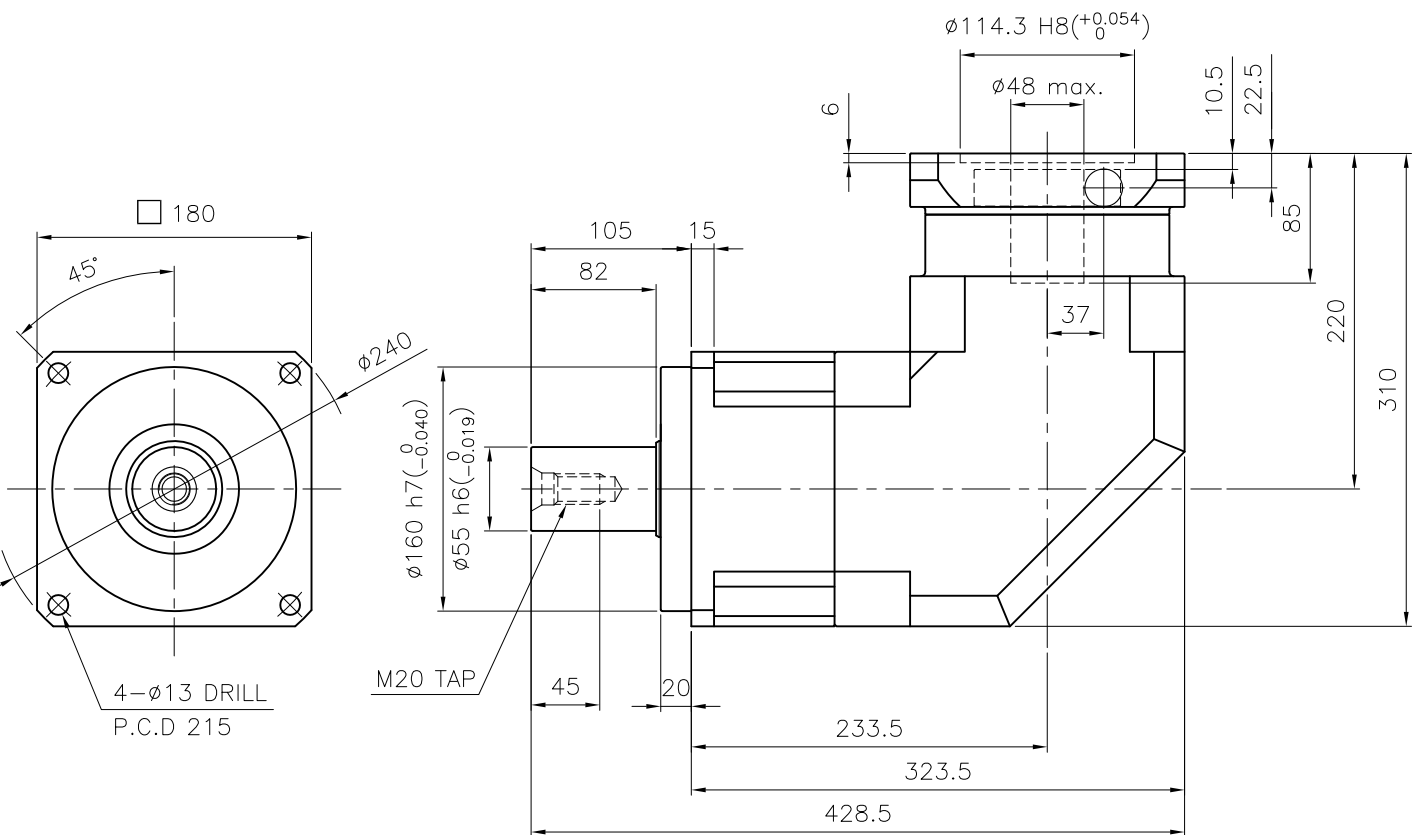
2

1

MARK	DATE	REVISION	REASON	SIGNATURE

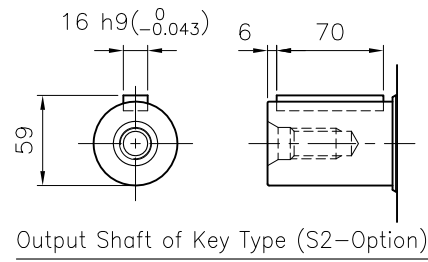
D
C
B
A

D
C
B
A



SPECIFICATION

- 1.Reducer Stage : 1
- 2.Ratio : 1/3~1/20
- 3.Output Shaft Shape : Non-Key Type (S1)
Key Type (S2)
- 4.Backlash
 - 4-1) Precision Backlash P1(≤4 arcmin)
 - 4-2) Low Backlash P2(≤6 arcmin)
 - 4-3) Standard Backlash P3(≤10 arcmin)
- 5.Input Shaft Dia. : $\phi 48 \text{ max.}$
In case that motor shaft Dia. is smaller than $\phi 48$
Bushing is supplied



GENERAL TOLERANCE (mm)	SURFACE ROUGHNESS	- NPR - 180		φ240x428.5x310		-	1		
0.5~3 ±0.1	0.4 Ra	NO.	DESCRIPTIONS	SIZE	MAT'L	Q'TY	WEIGHT (kgf)	REMARKS	
3~6 ±0.1	12.5 Rmax	CUSTOMER			SCALE	1 / 3.5	PROJECTION		
6~30 ±0.2	12.5 F	TITLE		NPR-180(1/3~1/20)	DWG.NO.	NPR18000A1-180A	REV. NO.	0	
30~120 ±0.3	6.3 F	DRAWN		S.R.JEON	CHECKED		APPROVED		
120~400 ±0.5	3.2 F	DATE		2018.08.29					
400~1000 ±0.8	1.6 F								
1000~2000 ±1.2	0.8 F								
2000~4000 ±2	0.4 F								



6

5

4

3

2

1