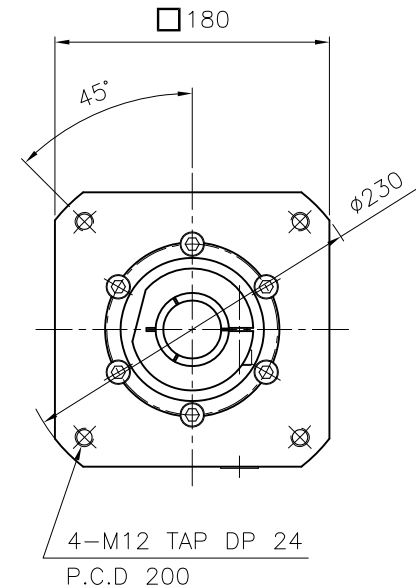
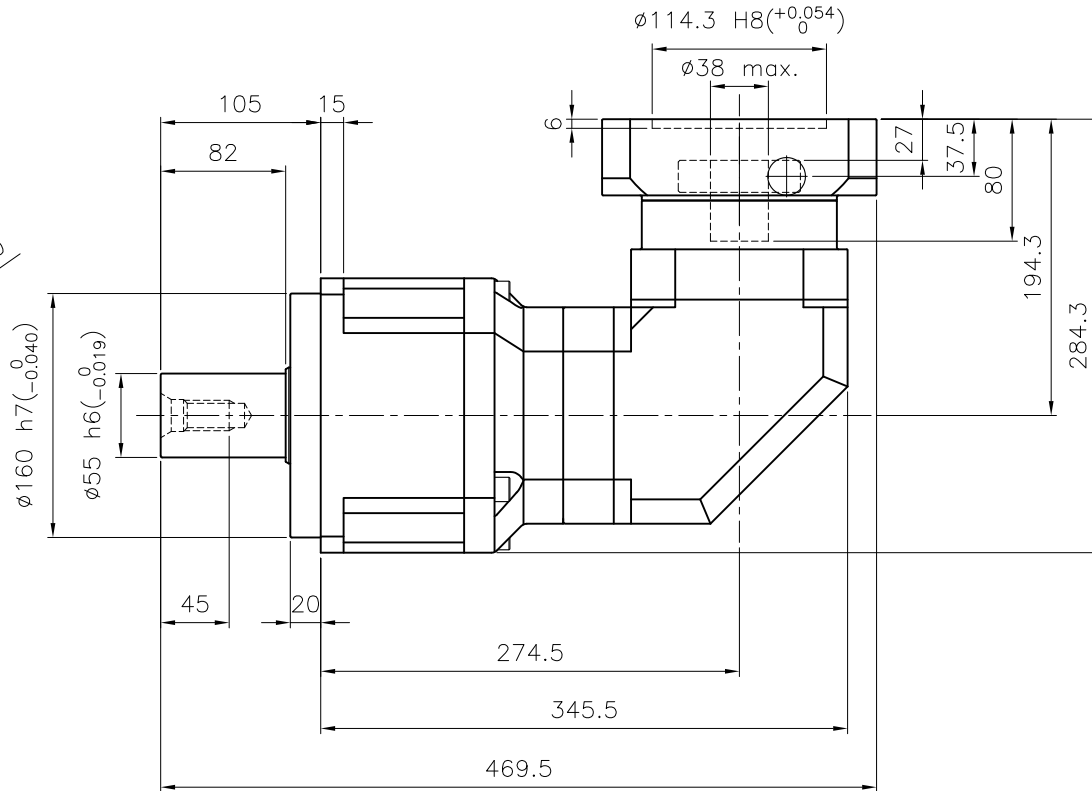
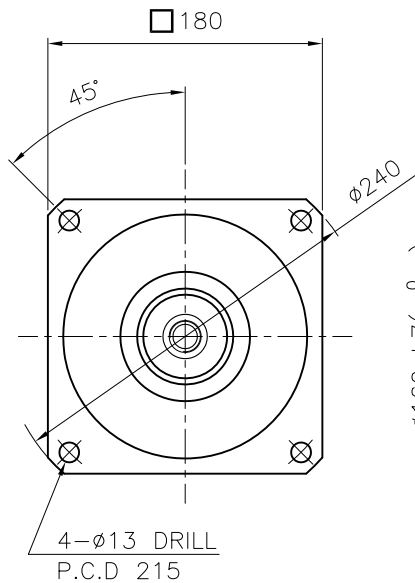


MARK	DATE	REVISION	REASON	SIGNATURE

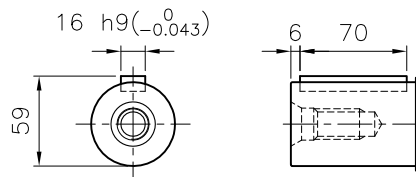
D
C
B
A



VIEW-A

SPECIFICATION

- 1.Reducer Stage : 2
- 2.Ratio : 1/25~1/200
- 3.Output Shaft Shape : Non-Key Type (S1)
Key Type (S2)
- 4.Backlash
 - 4-1) Precision Backlash P1(≤7 arcmin)
 - 4-2) Low Backlash P2(≤9 arcmin)
 - 4-3) Standard Backlash P3(≤12 arcmin)
- 5.Input Shaft Dia. : φ38 max.
In case that motor shaft Dia. is smaller than φ38
Bushing is supplied



Output Shaft of Key Type(S2-Option)

GENERAL TOLERANCE (mm)	SURFACE ROUGHNESS	NPR - 180		φ240x469.5x284.3	-	1		
0.5~3 ±0.1	Ra Rmax FINISH MARK	NO.	DESCRIPTIONS	SIZE	MAT'L	Q'TY	WEIGHT (kgf)	REMARKS
3~6 ±0.1	✓	CUSTOMER	-			SCALE	1 / 3.5	PROJECTION
6~30 ±0.2	12.5	TITLE	NPR-180(1/25~1/200)		DWG.NO.	NPR18000A2-180A	REV. NO.	0
30~120 ±0.3	12.5	Precision Planetary Gearhead			REF.NO.			
120~400 ±0.5	12.5S	DRAWN	CHECKED	APPROVED				
400~1000 ±0.8	1.6 6.3S	S.R.JEON						
1000~2000 ±1.2	0.8 3.2S	2018.08.29						
2000~4000 ±2	0.2 0.8S							
	0.4S							