

6

5

4

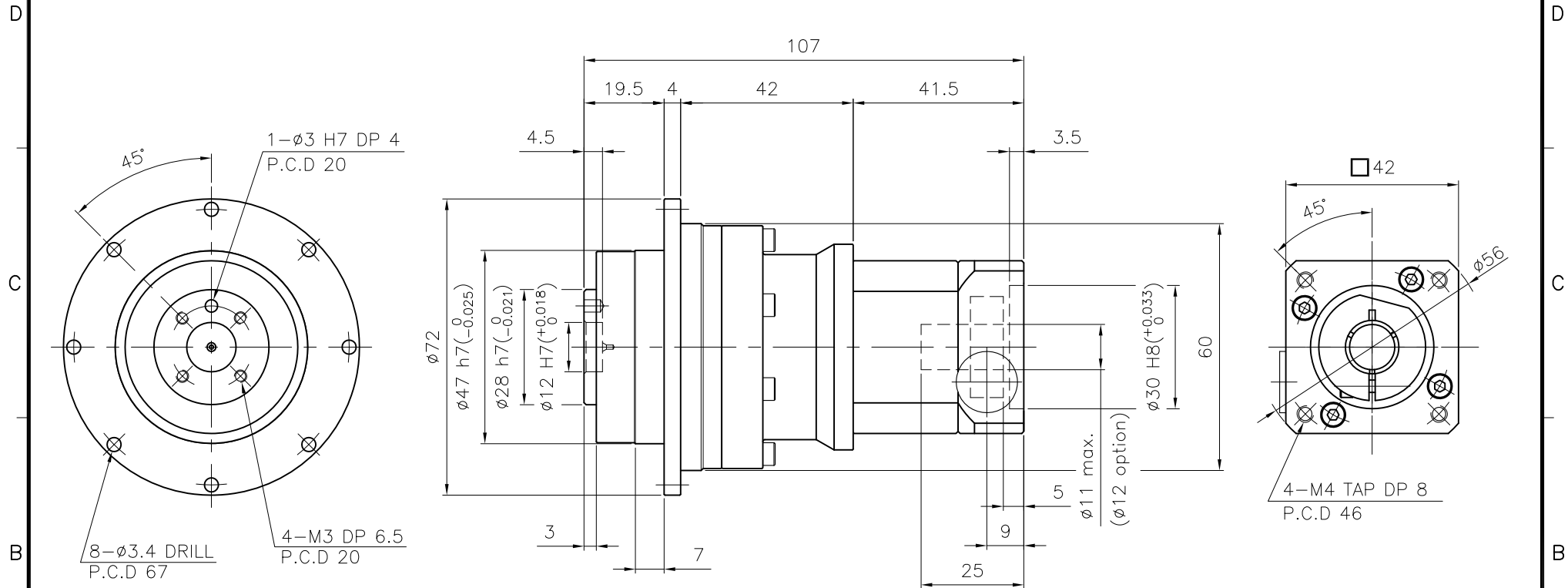
3

2

1

DWG. NO.

MARK	DATE	REVISION	REASON	SIGNATURE



SPECIFICATION

- Reducer Stage : 2
- Ratio : 1/20 , 1/25 , 1/35 , 1/40 , 1/50 , 1/70 , 1/100
- Backlash
 - Precision Backlash P1(≤ 5 arcmin)
 - Low Backlash P2(≤ 7 arcmin)
 - Standard Backlash P3(≤ 10 arcmin)
- Input Shaft Dia. : $\phi 11$ max. ($\phi 12$ option)
In case that motor shaft Dia. is smaller than $\phi 11$
Bushing is supplied

GENERAL TOLERANCE (mm)	SURFACE ROUGHNESS	NF-047		$\phi 72 \times 107$	-	1	REMARKS		
0.5~3	±0.1	NO.	DESCRIPTIONS	SIZE	MAT'L	Q'TY	WEIGHT (kgf)	REMARKS	
3~6	±0.1	✓	STANDARD			1 / 1			
6~30	±0.2	12.5							
30~120	±0.3	6.3							
120~400	±0.5	3.2							
400~1000	±0.8	1.6							
1000~2000	±1.2	0.8							
2000~4000	±2	0.4							
FINISH MARK		CUSTOMER		SCALE	PROJECTION		REV. NO.		
		NF-047(1/20~1/100)		1 / 1	1 / 1		0		
		Precision Planetary Gearhead		DWG. NO.	NFO4700A2-042A		REF. NO.		
		DRAWN		CHECKED	APPROVED				
		S.R. JEON							
		2018.09.20							

NARA DRIVE

6

5

4

3

2

1