

6

5

4

3

2

1

DWG. NO.

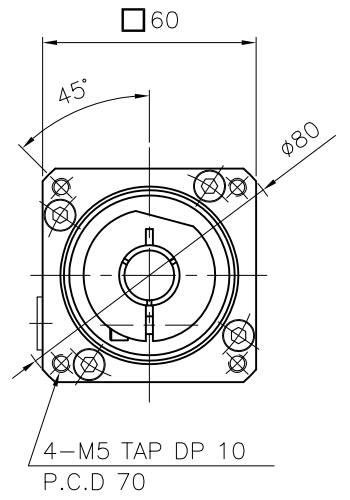
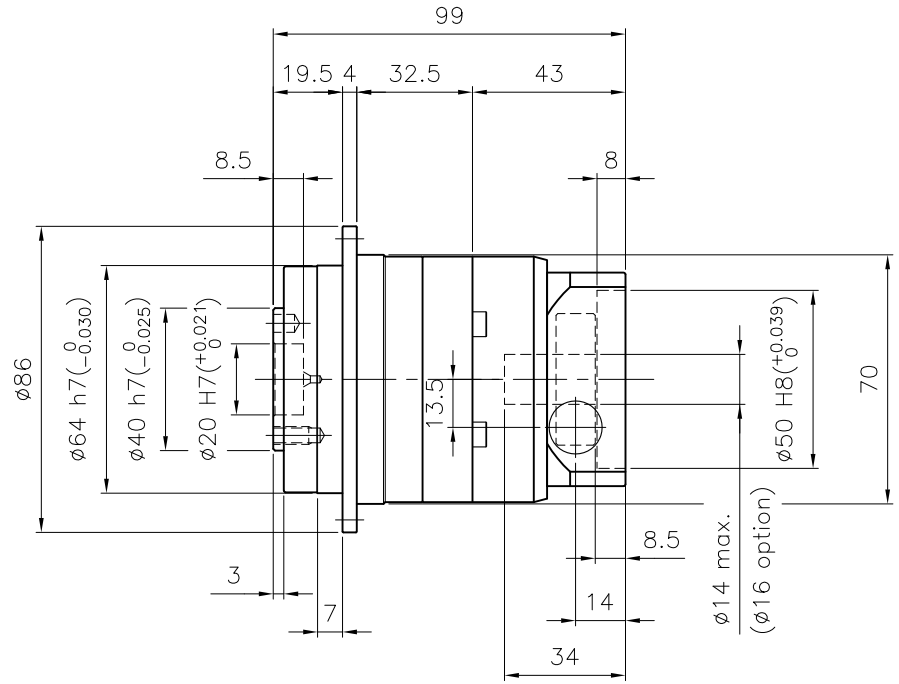
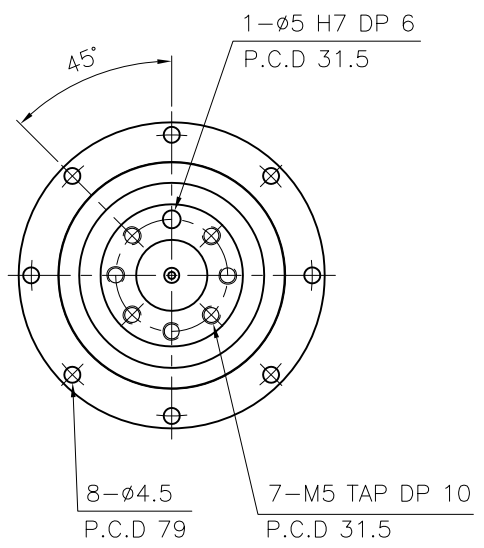
| MARK | DATE | REVISION | REASON | SIGNATURE |
|------|------|----------|--------|-----------|
| | | | | |

D

C

B

A



SPECIFICATION

- 1.Reducer Stage : 1
- 2.Ratio : 1/4 , 1/5 , 1/7 , 1/10
- 3.Backlash
 - 3-1) Precision Backlash P1(≤3 arcmin)
 - 3-2) Low Backlash P2(≤5 arcmin)
 - 3-3) Standard Backlash P3(≤8 arcmin)
- 4.Input Shaft Dia. : ø14 max. (ø16 option)
In case that motor shaft Dia. is smaller than ø14
Bushing is supplied

| GENERAL TOLERANCE (mm) | SURFACE ROUGHNESS | NF-064 | | ø86x99 | | - | | 1 | | REMARKS | |
|------------------------|-------------------|--------|------------------------------|---------|----------|------------|--------------|---|------------|---------|--|
| 0.5~3 | ±0.1 | NO. | DESCRIPTIONS | SIZE | MAT'L | Q'TY | WEIGHT (kgf) | | | | |
| 3~6 | ±0.1 | ✓ | STANDARD | SCALE | 1 / 1.5 | PROJECTION | REV. NO. | 0 | | | |
| 6~30 | ±0.2 | 100S | | | | | | | | | |
| 30~120 | ±0.3 | 12S | Precision Planetary Gearhead | REF.NO. | DRAWN | | CHECKED | | APPROVED | | |
| 120~400 | ±0.5 | 12.5S | | | S.R.JEON | | 2018.09.20 | | NARADRIIVE | | |
| 400~1000 | ±0.8 | 1.5 | | | | | | | | | |
| 1000~2000 | ±1.2 | 0.5 | | | | | | | | | |
| 2000~4000 | ±2 | 0.2 | | | | | | | | | |

6

5

4

3

2

1

D

C

B

A